

CSO708YB 60CM BUILT-IN COMBI STEAM OVEN

Design:

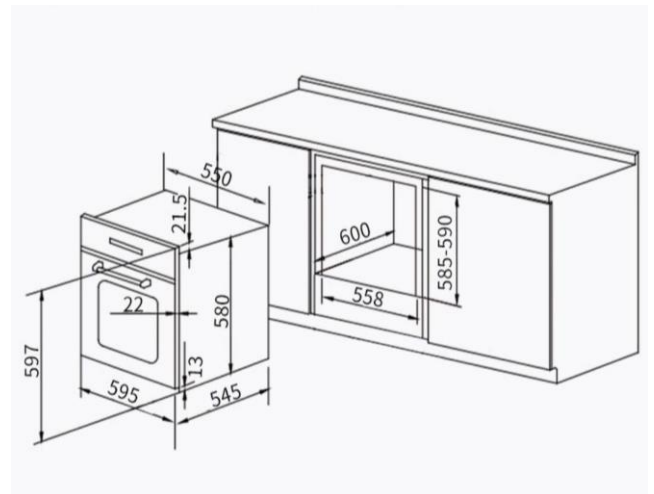
- Black glass panel and enamel cavity
- Soft touch control
- 4 layered glass door

Features:

- Combined cooking and disinfection functions
- Traditional cooking: convection, grill, baking
- Steam cooking: steam 100°C / steam 120°C
- 360° smart temp.
- Preset cooking function
- 4 layer cooking at one time
- Defrosting
- External water tank
- Water receiving trough
- 4 layered CoolTouch door
- Easily disassembled door
- Child lock

Supplied accessories:

- 1 tray
- 1 steam rack



Technical information:

- Capacity: 80L
- Water tank capacity: 1.2L
- 250°C max. temperature
- Total connected load: 3100W
- Voltage / frequency: 220V / 50Hz

Product dimensions:

- Product dimensions (WxDxH): 595 x 545 x 597 (mm)
- Built-in dimensions (WxDxH): 558 x 600 x 585-590 (mm)

Made in China